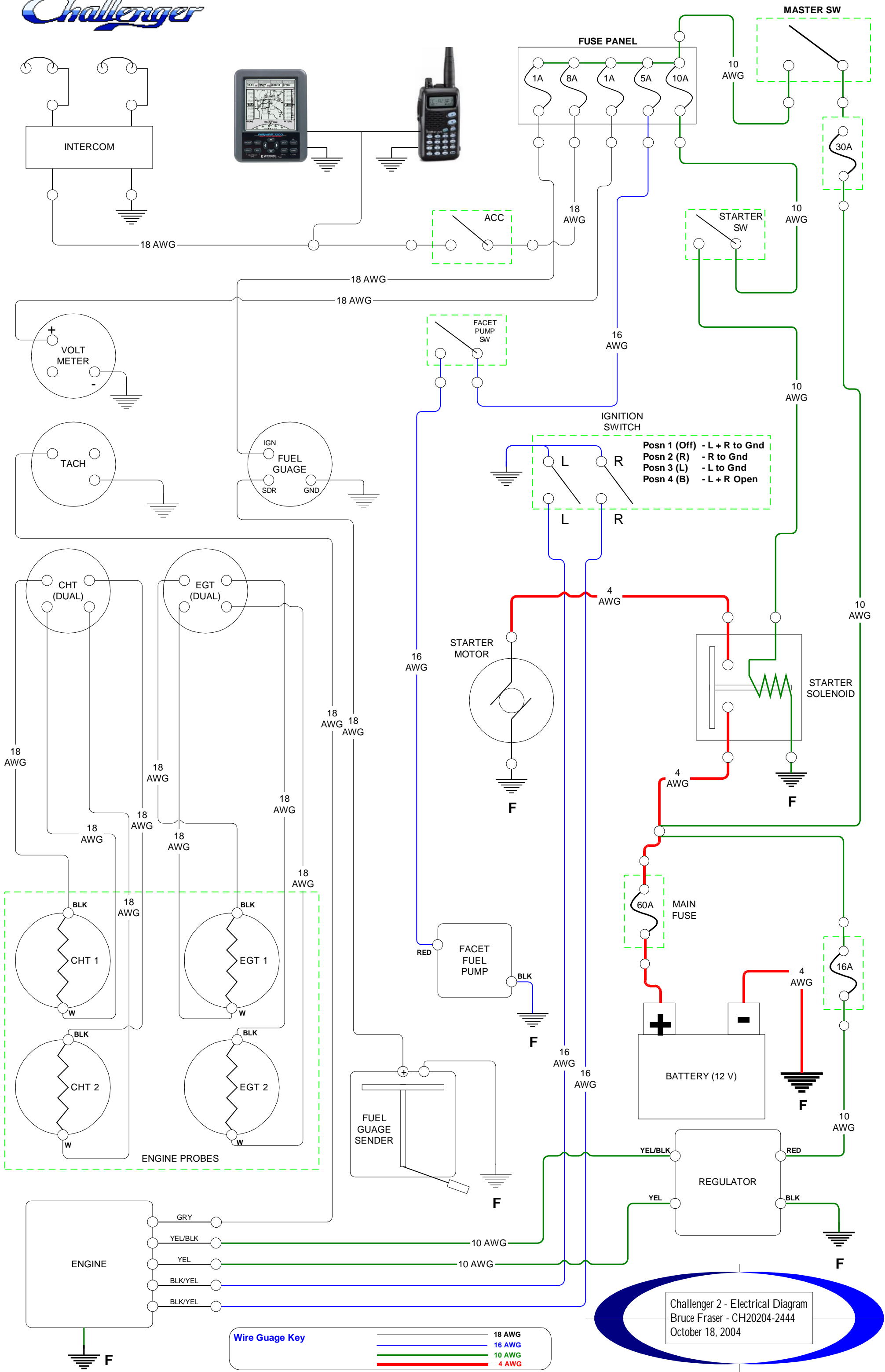


Challenger



Challenger 2 - Electrical Diagram
 Bruce Fraser - CH20204-2444
 October 18, 2004